

B (1:2)

- Bohrungen für Spulenhalter und andere
- Holes for spoolholder and other

Nema14 Stepper

Z-endstop mount

Nema14 Stepper Holder

XZ Block left

Leadscrewnut

A (1:2)

- Durchführung für Bettheizung
- cable feed-through heating bed

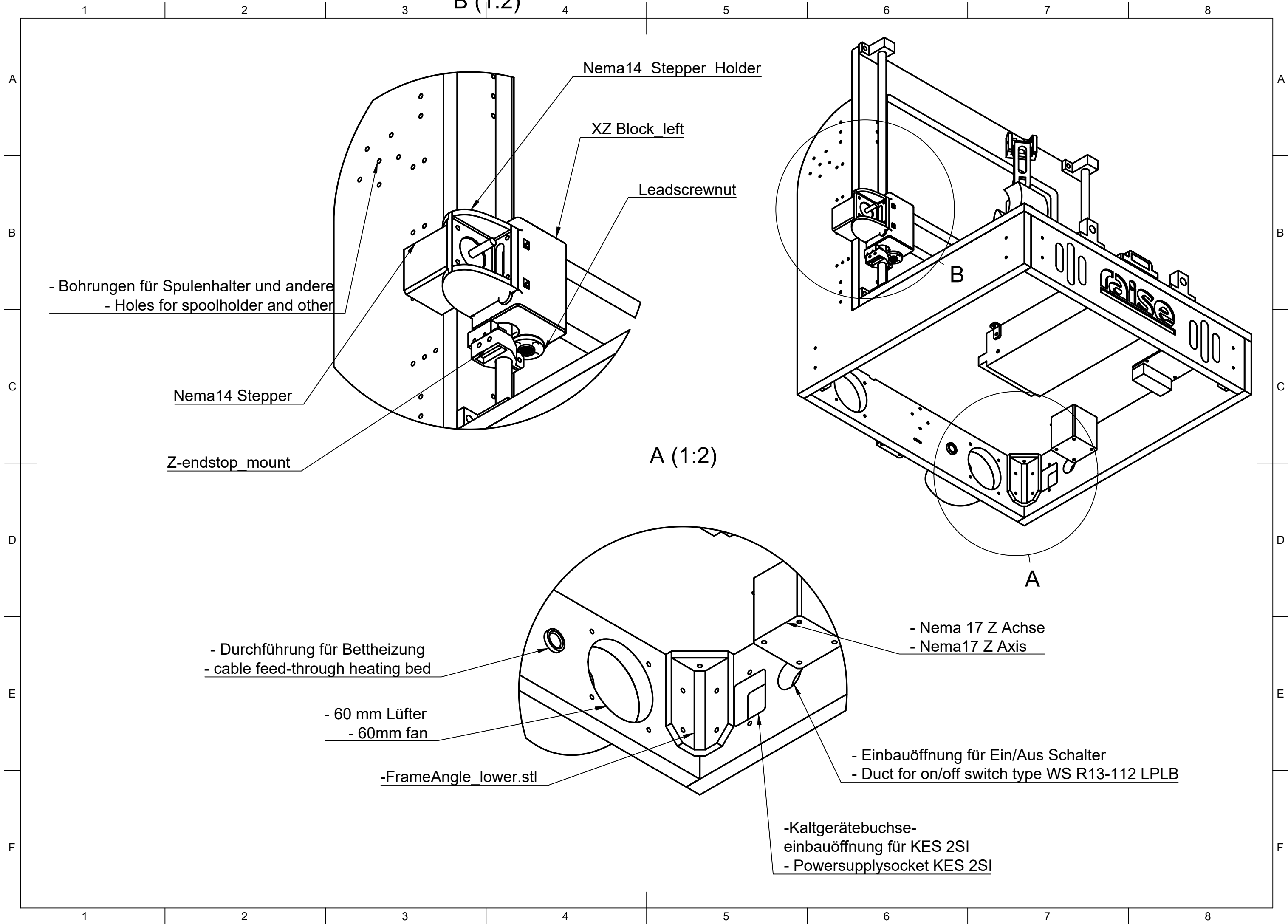
- 60 mm Lüfter
- 60mm fan

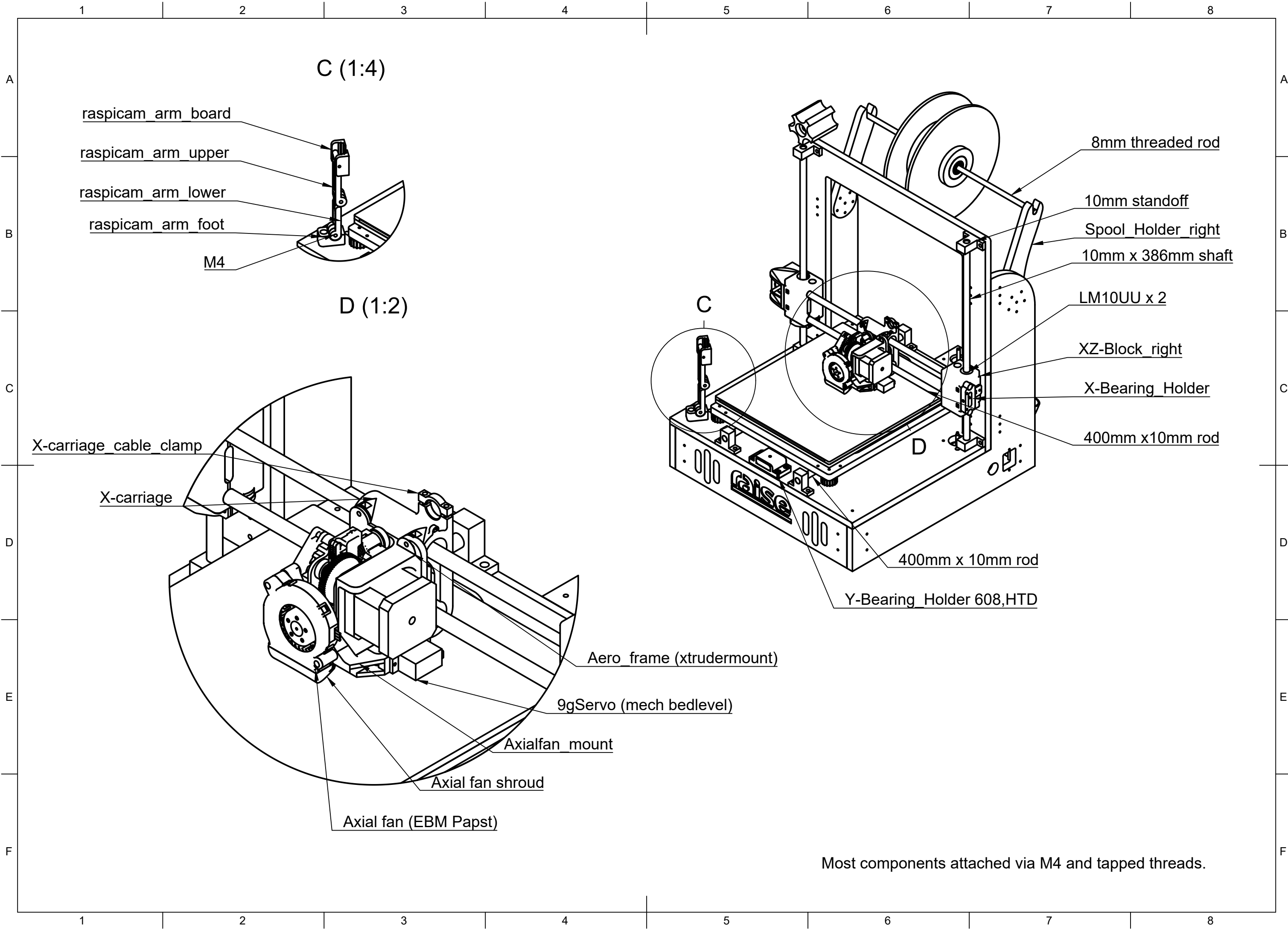
-FrameAngle_lower.stl

- Nema 17 Z Achse
- Nema17 Z Axis

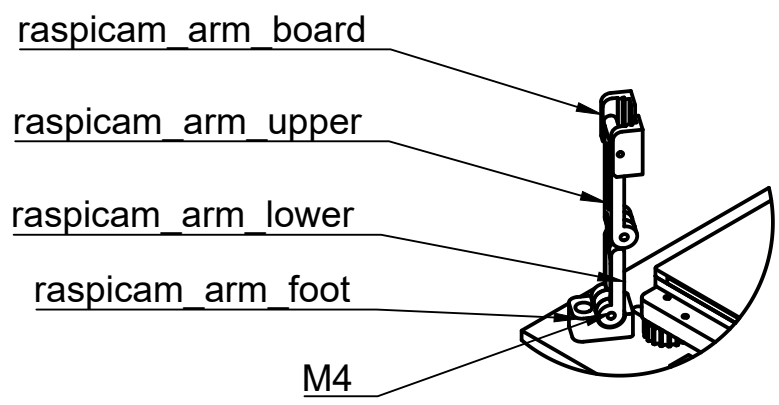
- Einbauöffnung für Ein/Aus Schalter
- Duct for on/off switch type WS R13-112 LPLB

-Kaltgerätebuchse-
einbauöffnung für KES 2SI
- Powersupplysocket KES 2SI

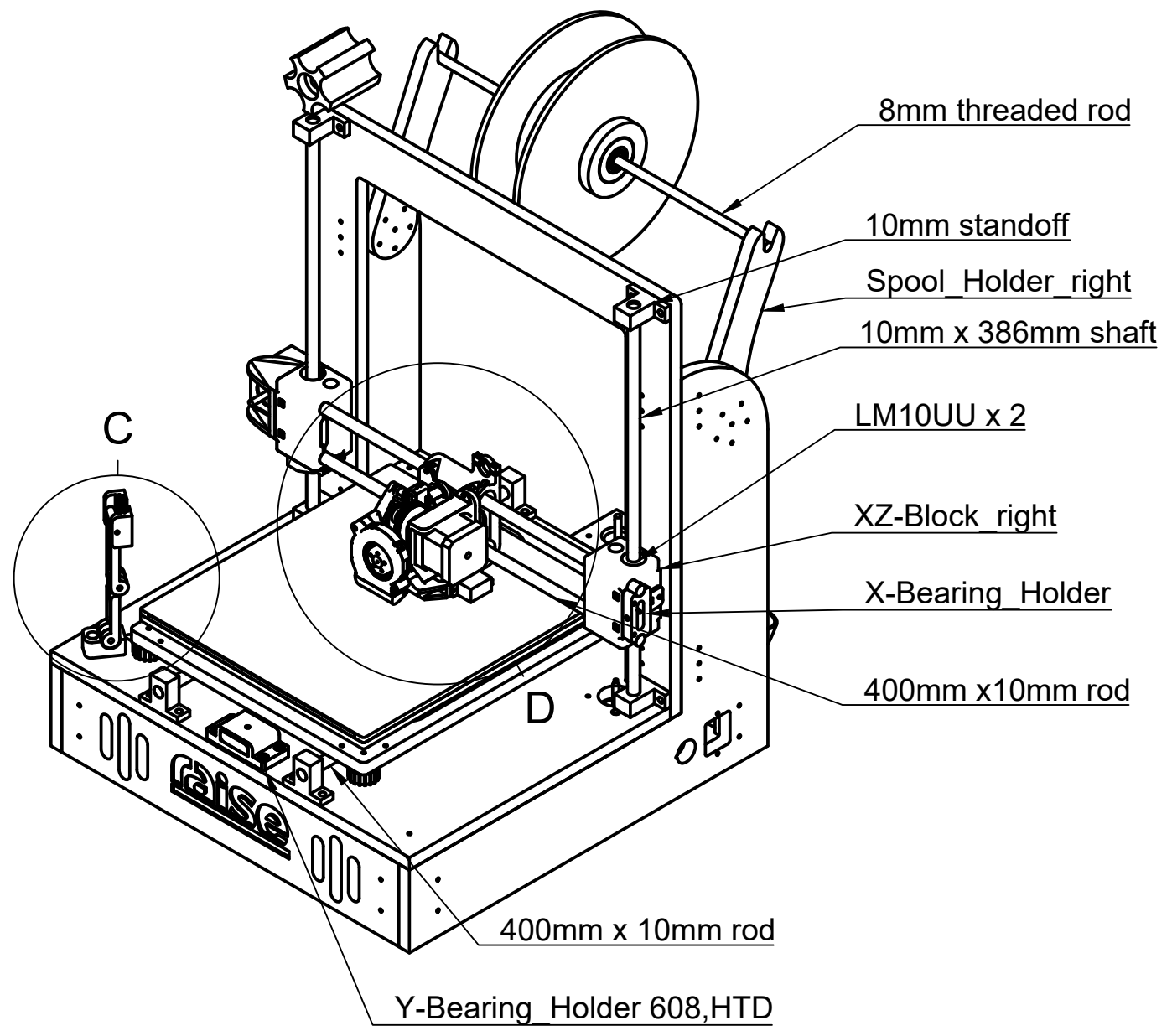
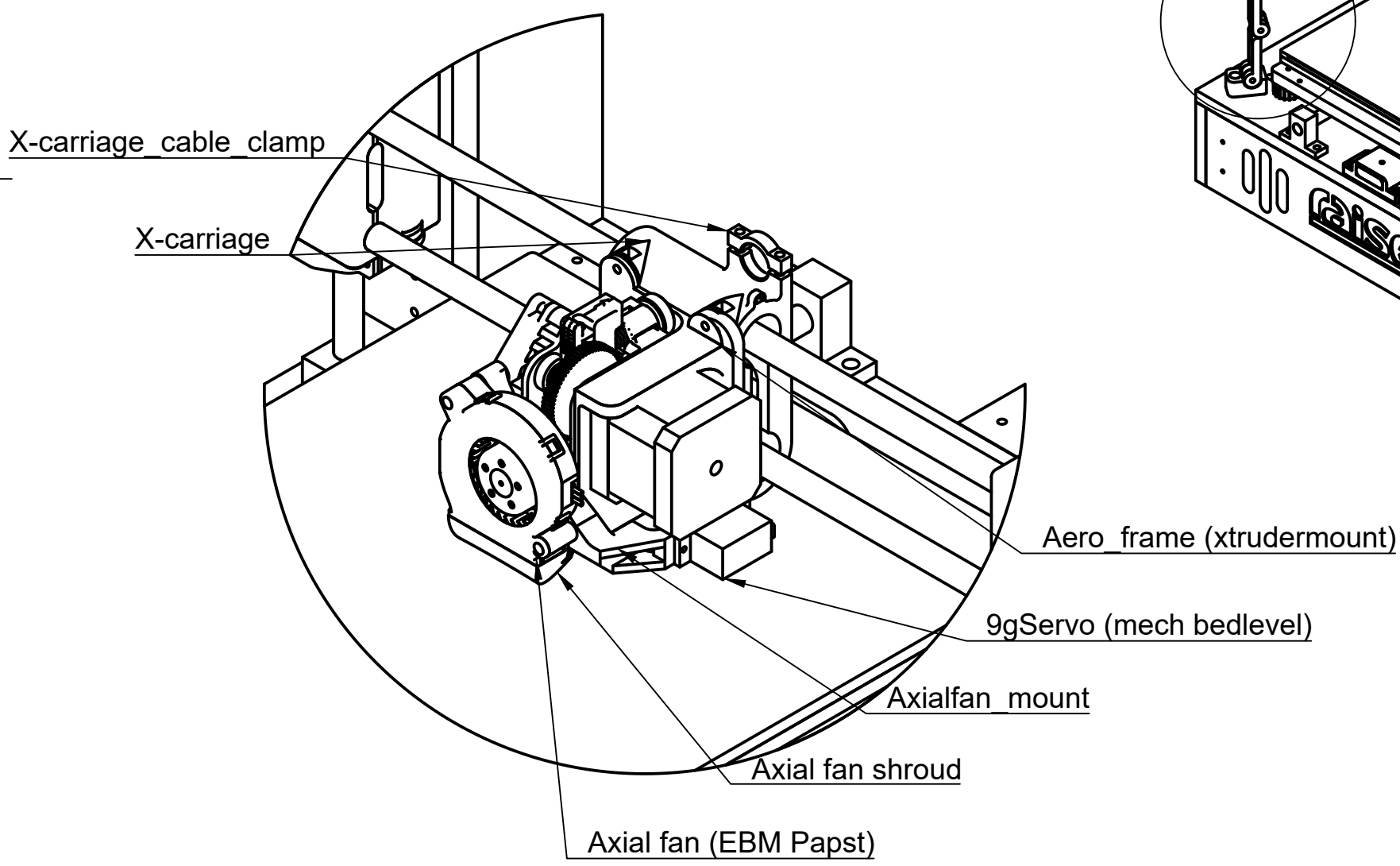




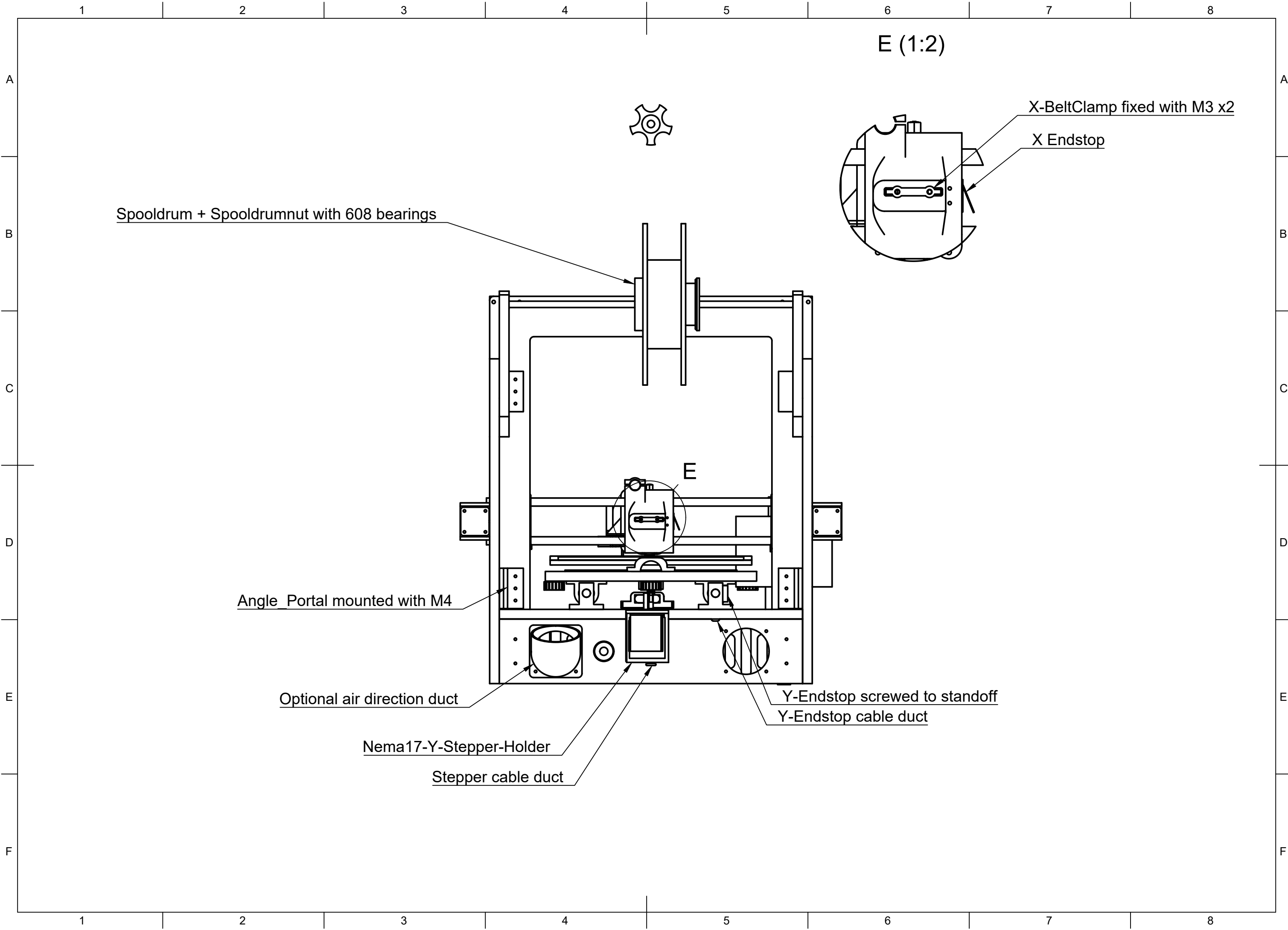
C (1:4)



D (1:2)



Most components attached via M4 and tapped threads.



E (1:2)

X-BeltClamp fixed with M3 x2

X Endstop

Spool drum + Spool drum nut with 608 bearings

E

Angle Portal mounted with M4

Optional air direction duct

Nema17-Y-Stepper-Holder

Stepper cable duct

Y-Endstop screwed to standoff

Y-Endstop cable duct

A

B

C

D

E

F

1

2

3

4

5

6

7

8

1

2

3

4

5

6

7

8

A

B

C

D

E

F